



Technical Bulletin / Safety Alert

Unique ID No : DES2017-TBSA-02 **Rev: 0**

Subject : Intake Flametrap Housing – Dimensional Tolerances

Date : 17th August 2017

Applicable to : VLI Driftrunner, Brumby Vehicles and Diesel Engine Systems
currently complying to: MDR 090376 DES

Details of Revision : 0 - Original Issue

Note: Minimum PPE required to carry out any inspections contained in this TBSA shall be protective clothing & footwear, safety glasses, hearing protection & any site specific requirements. A JSA or equivalent should be carried out prior to performing these tasks.

Description:

Over the past 12 months or so, VLI have found significant variations in the outside diameters of Intake Flametrap Elements (part number 9-04100116).

The Australian supplier of the Intake Flametrap Elements has provided the latest tolerances from the manufacturer and as a result, VLI have had to review the Approval Drawings associated with these components.

As a result of the review (internal Engineering Report ER1707-01), VLI have submitted an Application to the NSW Department of Planning & Environment Resources Regulator to amend the tolerance of the Intake Flametrap Housing (part number 5-04100101) for MDR 090376 DES.

Notification:

VLI have received notification from the NSW Department of Planning & Environment Resources Regulator; that the application for this amendment has been accepted & the Department has issued variation MDR 090376 DES -13.

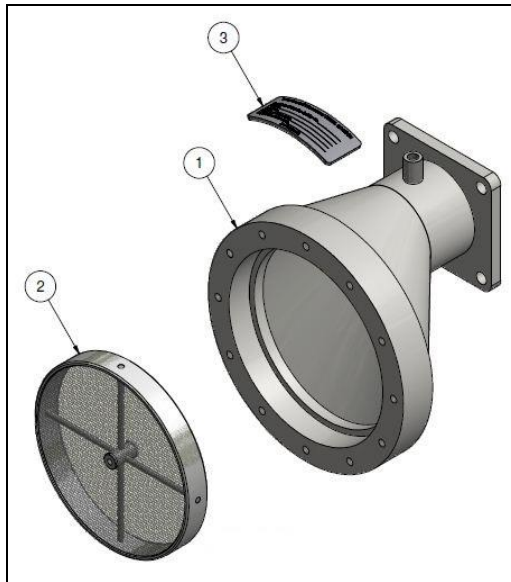


Figure 1.

Part No. 6-04113901 – Assembly; Air Intake Flametrap

As per VLI’s previous TBSA in 2014 (DES-2014-TBSA – 03); VLI will only supply the Intake Flametrap Housing as an assembly as shown in Figure 1.

Each assembly will be supplied complete with appropriate compliance documentation ready to install.

Information & Recommendations:

MDR DES	Amendment
MDR 090376 DES - 10	AS3584.2 2008 Upgrade
MDR 090376 DES - 11	Administrative amendments to -10
MDR 090376 DES – 11a	Upgraded Strangler Valve
MDR 090376 DES - 12	Option of using the VLI Long Life DPF Elements
MDR 090376 DES - 13	Intake Flametrap Housing Dimension Tolerances

While individual Intake Flametrap Elements are still available separately, VLI recommends using complete assemblies as shown in Figure 1, to ensure 100% compliance with Design Registered Approval.

Please ensure this document is circulated to all relevant personnel within your organisation.

Should you have any further questions, please contact your VLI Representative.

Beresfield
 8 Balook Drive
 Beresfield NSW 2322
 P: +61 2 4964 2300
 F: +61 2 4028 6796

Emerald
 44 Industrial Drive
 Emerald QLD 4720
 P: +61 7 4987 5011
 F: +61 7 4987 4711