



Technical Bulletin / Safety Alert

Unique ID No: GEN2015-TBSA-03

Rev: 0

(This document supersedes all previous versions of GEN2015-TBSA-01)

Subject: JUG-A-0 Rear Differential Mounting Bolt – Part Number Update

Date: 30th April 2015

Applicable to: VLI JUG-A-0 UL/UV Machines with Dana 16D Axles

Note: Minimum PPE required to carry out any inspections contained in this TBSA shall be protective clothing & footwear, safety glasses, hearing protection & any site specific requirements. A JSA or equivalent should be carried out prior to performing these tasks.

Notification:

VLI advises the following part number update for VLI JUG-A-0 UL/UV machines with Dana 16D axles installed:

Part Description	Old Part No.	New Part No.
Rear diff mount bolt	JUG1381050	JUG13816

A replacement page for the relevant VLI JUG-A-0 UL/UV Parts Manuals is attached to this TBSA.

Please ensure this document is circulated to all relevant personnel within your organisation. Should you have any further queries please contact your VLI Representative.

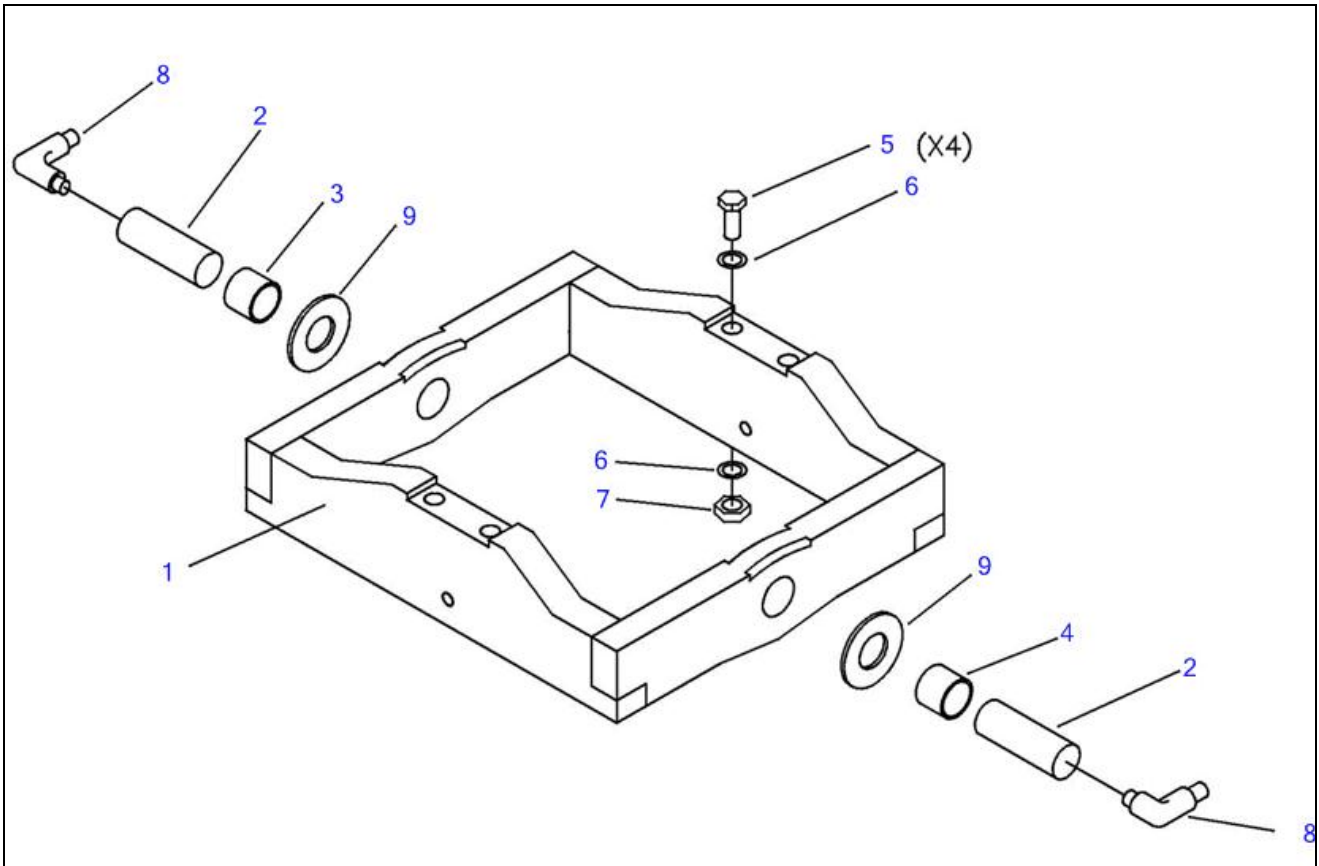
Beresfield
8 Balook Drive
Beresfield NSW 2322
P: +61 2 4964 2300
F: +61 2 4028 6796

Mackay
6 Fursden Street
Glenella QLD 4740
P: +61 7 4942 7495
F: +61 7 4942 4944

Emerald
44 Industrial Drive
Emerald QLD 4720
P: +61 7 4987 5011
F: +61 7 4987 4711

Unanderra
3 Investigator Drive
Unanderra NSW 2526
P: +61 2 4220 9400
F: +61 2 4272 5530

Mudgee
24A Industrial Avenue
Mudgee NSW 2850
P: +61 2 6372 9847
F:



Item Id	Part No.	Description	Qty
1	0504-10001	Bolster assembly	1
2	0504-10002	Bolster pin	2
3	0504-10003	Bolster bush front	1
4	0504-10004	Bolster bush rear	1
5	JUG13816	Rear diff mount bolt	4
6	JUG138FLWSH	Washer	8
7	JUG138NUTCONELOC	Nut Conelock	4
8	JJB9M-02-07	Fitting 90 deg	2
9	0504-10009	Bolster Spacers - 2mm (Order Size As Required)	2
	0504-10010	Bolster Spacers - 3mm (Order Size As Required)	
	0504-10011	Bolster Spacers - 4mm (Order Size As Required)	
	0504-10012	Bolster Spacers - 5mm (Order Size As Required)	
	0504-10013	Bolster Spacers - 6mm (Order Size As Required)	
	0504-10014	Bolster Spacers - 8mm (Order Size As Required)	
	0504-10015	Bolster Spacers - 10mm (Order Size As Required)	