

ENGINEERING BULLETIN

Ref Document No.	EB13003	Issue No.	1
Subject	Radiator Cleaning Access		
Release Date	11th November 2013		

Purpose – Advise machine owner’s optional areas of improvement to radiator access for cleaning.

Applicability – All in service COALTRAM® models – CT08 / CT10

Background

The DMS technical department has been made aware of the difficulty in properly cleaning the radiator due to lack of access to the engine side.

Investigations/Findings

Modifications are available to incorporate access hatches for cleaning the engine side of the radiator with a hose. These hatches are available for retrofit onto existing radiators by DMS service centers. The hatches require modification to the radiator cowl and two extra hatches to be installed in the engine hood cover for access to the radiator.

This modification will allow access with a hose down the engine side of the radiator to permit cleaning of the radiator from both sides.

Recommendations

1. It is recommended if a mine site is having issues with cleanliness of the radiator causing overheating of the DES the modification should be made.
2. The components will be available from January 2014.

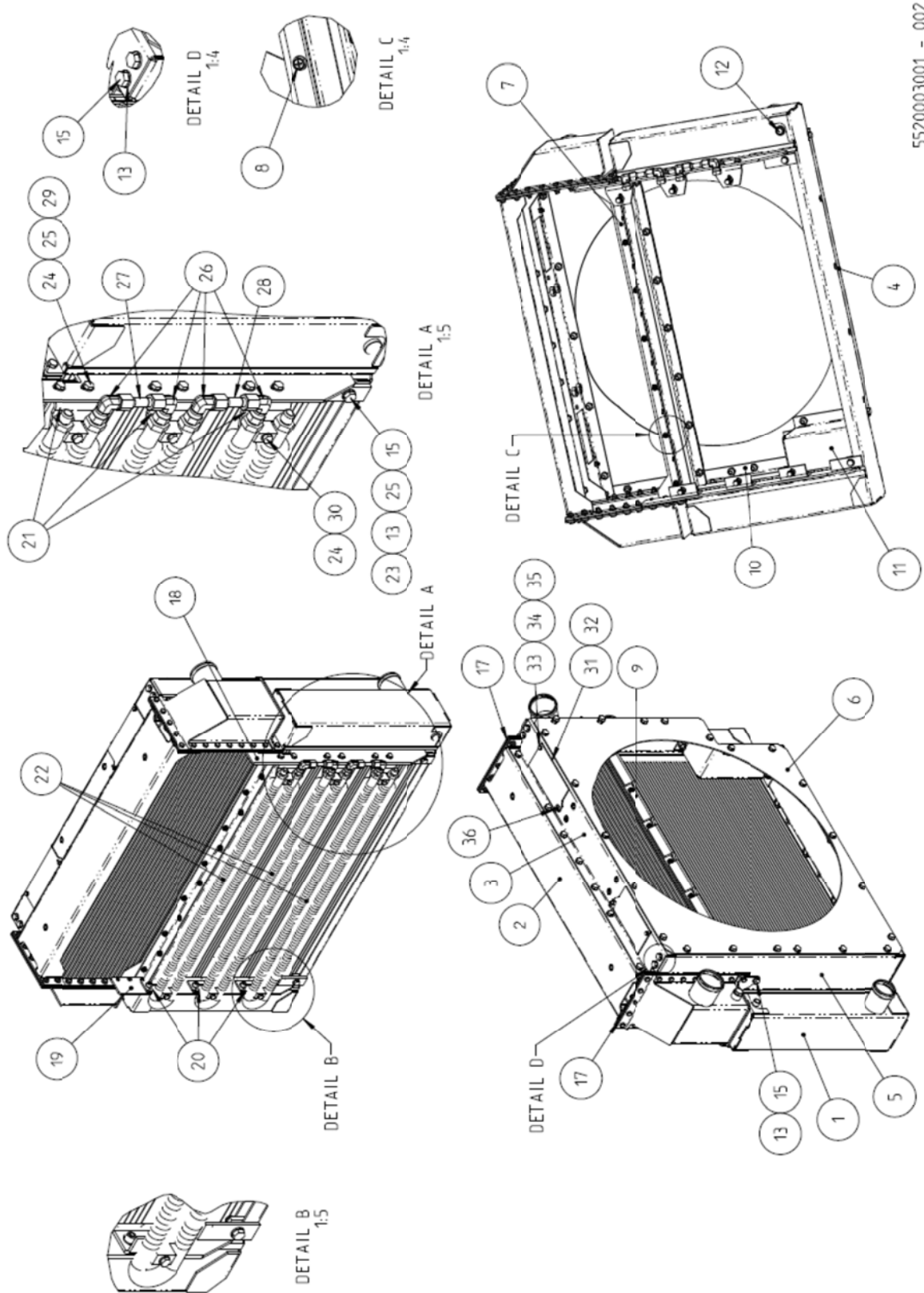


Brett Neal
Manager – Technical Support & Service Centres

Appendixes: Parts Pages for Radiator (2 pages)
Parts Pages for Engine Hood (2 pages)

Note: Parts pages supplied are current revisions at the time of supply of this Engineering Bulletin.

Radiator – 5520 0030 01 Rev 2



5520003001 - 002

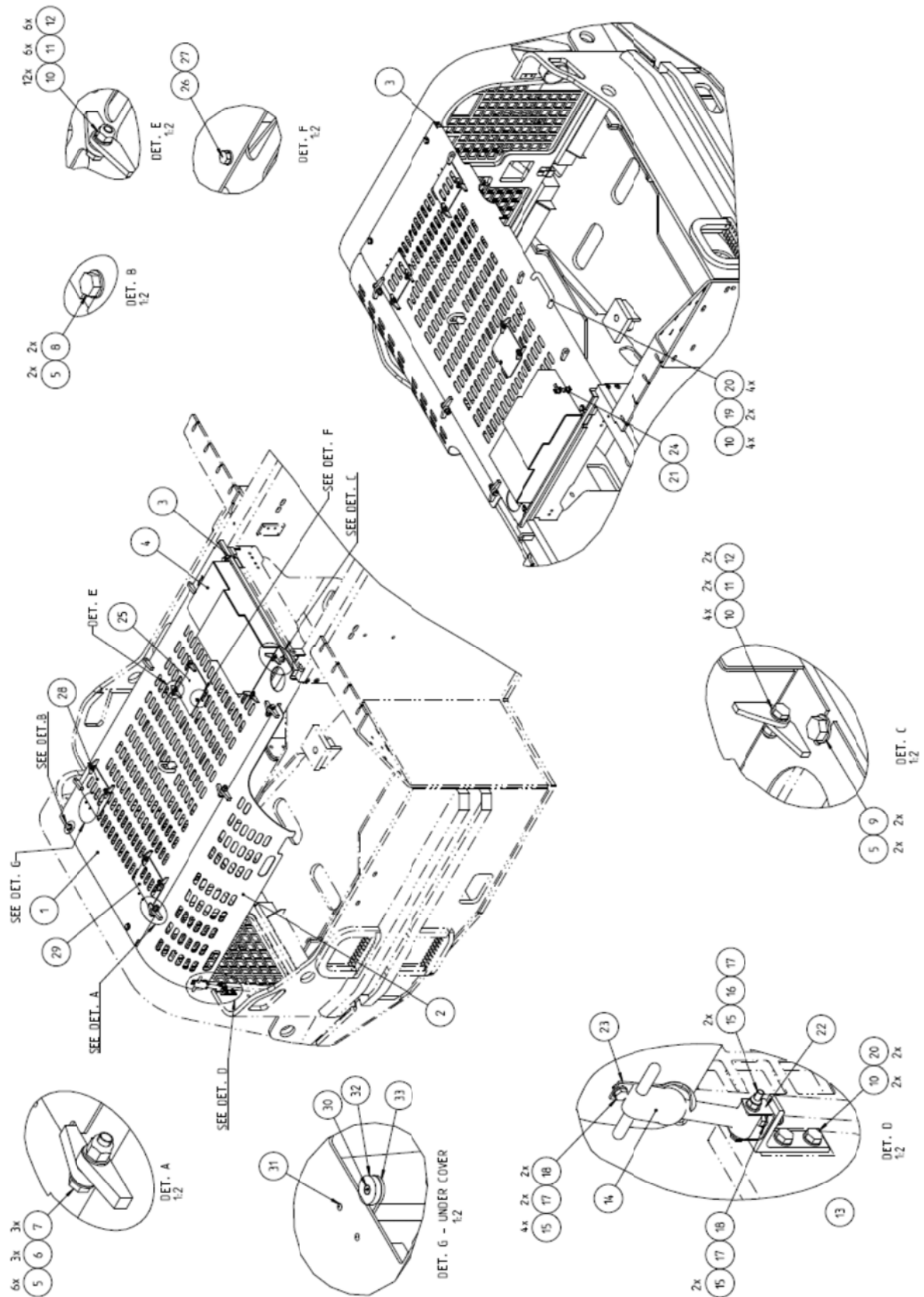


RADIATOR

Ref no	Part no Detailnr	Qty Antal	Description	Benämning	See page Se sida	Remarks Anmärkning
1	5520 0019 07	1	RADIATOR UNIT			
2	5520 0019 08	1	RADIATOR UNIT			
3	5520 0019 10	1	SHROUD			
4	5520 0019 09	1	SHROUD			
5	5520 0019 19	1	SHROUD			
6	5520 0019 17	1	SHROUD			
7	5520 0019 12	1	ANGLE BRACKET			
8	5520 0019 11	20	SCREW			
9	5520 0019 13	1	ANGLE BRACKET			
10	5520 0019 18	1	SHROUD			
11	5520 0019 15	1	SHROUD			
12	3176 0577 00	1	PLUG			
13	0301 2344 00	55	PLAIN WASHER			3/8 NPTF
15	0147 1362 03	55	SCREW, HEX HEAD			10,5 / 20 X 2 - HB 200 FZB
16	0266 2111 00	2	NUT			M 10 X 25 - 8.8 FZB
17	5520 0004 77	1	GASKET			M 10 - 8 FZB
18	5520 0028 68	1	COOLER BRACKET			OFF DRIVER SIDE
19	5520 0028 69	1	COOLER BRACKET			DRIVER SIDE
20	5520 0028 90	3	COOLER MOUNT ANGLE			DRIVERS SIDE
21	552 00028 70	3	COOLER MOUNT ANGLE			OFF DRIVERS SIDE
22	5520 0017 90	3	COOLER TUBE			
23	5520 0057 10	2	MOUNT PLATE			
24	0301 2335 00	44	PLAIN WASHER			8,4 / 16 X 1,6 - HB200 FZB
25	0291 1128 18	20	LOCK NUT			M 8 - 8 FZB
26	3176 3060 00	4	NIPPLE ELBOW			¾ JIC M/F 90 DEG
27	5520 0028 89	1	CONNECTION PIPE			TOP COOLER TO MIDDLE
28	5520 0028 88	1	CONNECTION PIPE			MIDDLE COOLER TO BOTTOM
29	0147 1325 03	12	SCREW, HEX HEAD			M 8 X 25 - 8.8 FZB
30	0147 1329 03	6	SCREW, HEX HEAD			M8 X 45 - 8.8 FZB
31	5520 0091 58	2	COWL COVER			
32	5520 0091 67	2	TOP PLENUM GASKET			M6 X 20-8.8 FZB
33	0147 1247 03	2	SCREW			M6 FZB 8.8
34	0291 1128 15	2	LOCK NUT			6.4 X 12 X 1.6 - STEEL FZB
35	0301 2321 00	2	PLAIN WASHER			STEEL FZB
36	5520 0091 59	2	WING NUT			

5520 0030 01 002

Engine Hood – 5520 0048 97 Rev 3



5520004897 - 003



METHANE SYSTEM

COVER ASSY

Ref no	Part no Detailjnr	Qty Antal	Description	Benämning	See page Se sida	Remarks Anmärkning
1	5520 0026 53	1	HOOD WDMT			
2	5520 0006 65	1	HOOD WDMT			
3	5520 0010 52	2	SPACER			
4	5520 0026 54	1	COVER			
5	0301 2364 00	10	PLAIN WASHER			13,5 / 24 X 2 –HB 200 FZB
6	0291 1128 22	3	LOCK NUT			M12 –8 FZB / ISO 7040
7	0147 1405 03	3	SCREW, HEX HEAD			M12 X 50 – 8.8 FZB
8	0147 1411 03	2	SCREW, HEX HEAD			M12 X 80 – 8.8 FZB
9	0147 1409 03	2	SCREW, HEX HEAD			M12 X 70 – 8.8 FZB
10	0301 2335 00	22	PLAIN WASHER			8,4 / 16 X 1,6 –HB 200 FZB
11	0291 1128 18	8	LOCK NUT			M 8 – 8 FZB / ISO 7040
12	0147 1325 03	8	SCREW, HEX HEAD			M8 X 25 – 8.8 FZB
13	5520 0011 32	1	BRACKET			
14	5533 7708 00	1	LATCH			
15	0300 0274 06	8	PLAIN WASHER			RUBBER
16	0147 1254 03	1	SCREW, HEX HEAD			A 6 6,4 12,5 1,6 ----
17	5540 1622 00	4	LOCK NUT			M6 X 50 – 8.8 FZB
18	0147 1247 03	3	SCREW, HEX HEAD			NUT-POLY INSERT M 6 G8.8
19	5520 0013 31	2	HANDLE			M6 X 20 – 8.8 FZB
20	0147 1323 03	6	SCREW, HEX HEAD			
21	5520 0026 55	1	CLAMP			M8 X 20 –8.8 FZB
22	5533 5318 00	1	RUBBER BRACKET			
23	5520 0010 79	1	HOOD BRACKET			
24	5520 0026 99	4	BLIND RIVET			
25	5520 0035 23	1	COVER			
26	0301 2321 00	1	PLAIN WASHER			
27	0147 1246 03	1	SCREW, HEX HEAD			M6 X 16 – 8.8 FZB
28	5520 0091 62	1	INSPECTION COVER			
29	5520 0091 63	1	INSPECTION COVER			
30	5520 0091 69	2	SCREW, SKT CSK			M4 X 10 – SKT CSK
31	0096 4274	4	RIVET			4mm X 13.5 S.S.
32	5520 0091 55	2	MAGNET			
33	5520 0091 56	2	BRACKET			

5520 0048 07 003