



Technical Bulletin / Safety Alert

Unique ID No : DES2018-TBSA-01 **Rev: 0**

Subject : Intake Flametrap Element and Housing – Fixed Joint

Date : 10th January 2018

Applicable to : VLI Driftrunner, Brumby Vehicles and Diesel Engine Systems
currently complying to: MDR 090376 DES

Details of Revision : 0 - Original Issue

Note: Minimum PPE required to carry out any inspections contained in this TBSA shall be protective clothing & footwear, safety glasses, hearing protection & any site specific requirements. A JSA or equivalent should be carried out prior to performing these tasks.

Description:

Further to the previous TBSA; DES2017-TBSA-02 Intake Flametrap Housing – Dimensional Tolerances; VLI have carried out further development to these components and now have a 'Fixed Joint' option available between the Flametrap Element and Flametrap Housing.

Notification:

VLI have received notification from the NSW Department of Planning & Environment Resources Regulator; that the application for this amendment has been accepted & the Department has issued variation MDR 090376 DES -14.

P/N: 6-0411077-001 – Assembly – Flametrap Housing – Flanged Flametrap

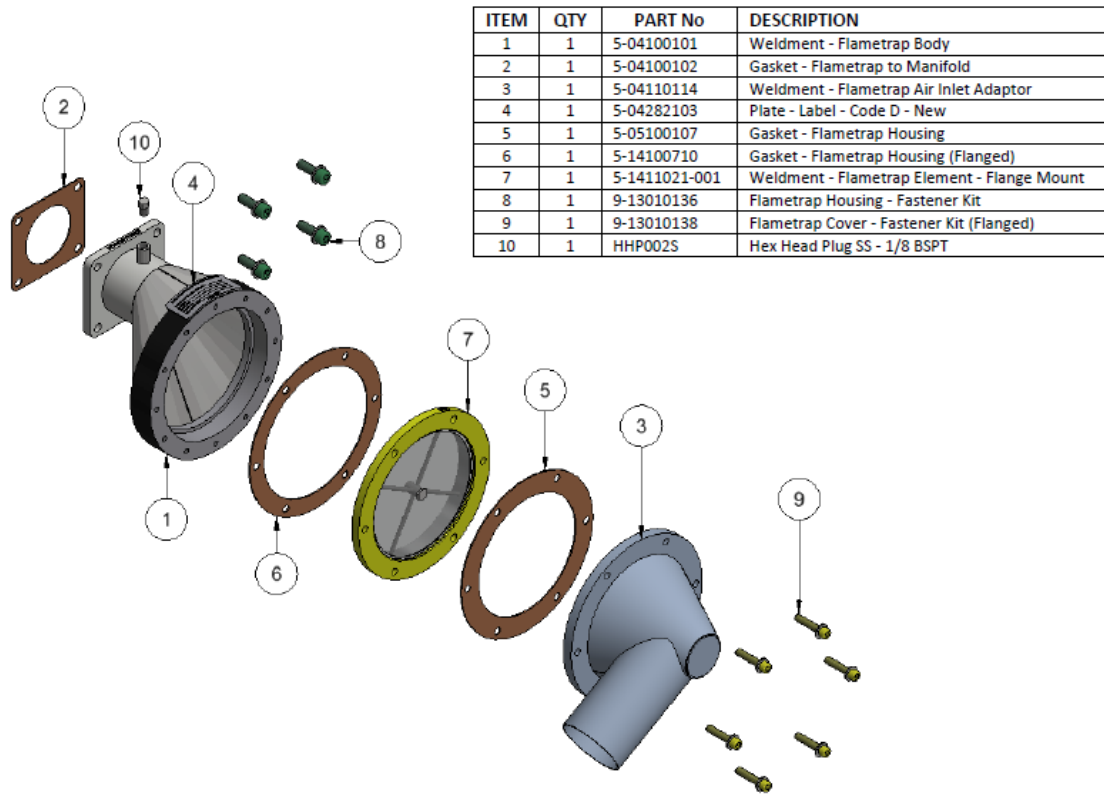


Figure 1.

Part No. 6-0411077-001 – Assembly; Air Intake Flametrap – Flange Mounted Flametrap Element

P/N: 6-0411076-001 – Service Kit – Flanged Flametrap

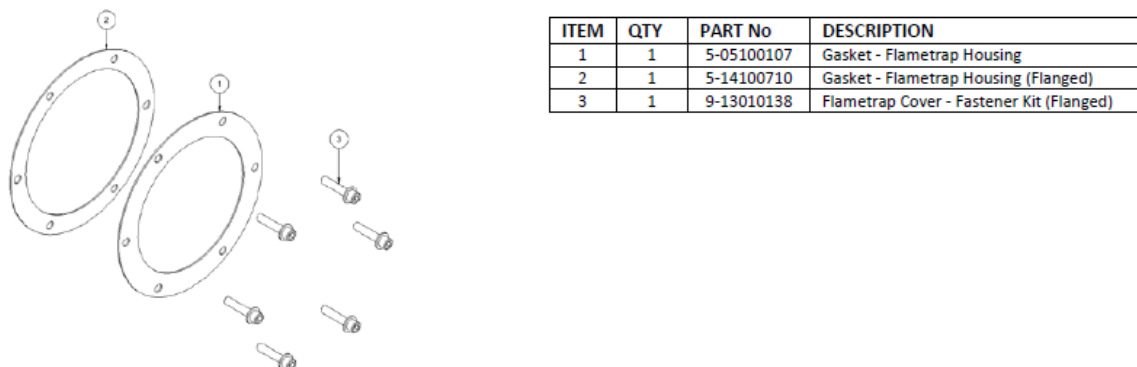


Figure 2.

Part No. 6-0411076-001 – Service Kit – Flange Mounted Flametrap Element

Information & Recommendations:

MDR DES	Amendment
MDR 090376 DES - 10	AS3584.2 2008 Upgrade
MDR 090376 DES - 11	Administrative amendments to -10
MDR 090376 DES – 11a	Upgraded Strangler Valve
MDR 090376 DES - 12	Option of using the VLI Long Life DPF Elements
MDR 090376 DES - 13	Intake Flametrap Housing Dimension Tolerances
MDR 090376 DES - 14	Option of using Intake Flametrap Element & Housing – fixed joint

The Flange Mounted Intake Flametrap Element (part number 5-1411021-001) is supplied with Item 5, Item 6 & Item 9 as shown in Figure 1. Alternatively, the complete assembly can be purchased (part number 6-0411077-001)

Please ensure this document is circulated to all relevant personnel within your organisation.

Should you have any further questions, please contact your VLI Representative.

Beresfield
8 Balook Drive
Beresfield NSW 2322
P: +61 2 4964 2300
F: +61 2 4028 6796

Emerald
44 Industrial Drive
Emerald QLD 4720
P: +61 7 4987 5011
F: +61 7 4987 4711