



Technical Bulletin / Safety Alert

Unique ID No: DES2014-TBSA-03 **Rev:** 0

(This document supersedes all previous versions of the above TBSA, DES2014-TBSA-03)

Subject: VLI DES Intake Flametrap Assemblies

Date: 5th September 2014

Applicable to: ALL VLI JUG-A-0 UL/UV Machines with MDR074246DES and MDR074246DES-1

Note: Minimum PPE required to carry out any inspections contained in this TBSA shall be protective clothing & footwear, safety glasses, hearing protection & any site specific requirements. A JSA or equivalent should be carried out prior to performing these tasks.

Notification:

To assist customers with maintaining VLI Diesel Engine Systems (DES) in accordance with OEM and AS3584 requirements, VLI wishes to advise the availability of complete air intake flametrap assemblies as follows:

VLI Part No.	VLI Equipment	Relevant DES
0102-50199	JUG-A-0	MDR074246DES & MDR114991DES
6-04113901	Drifrunner & Brumby	MDR090376DES & MDA DES 13017-2

Figures 1 and 2 below provide a visual representation of each assembly.

Each assembly will be supplied complete with appropriate compliance documentation ready to install. While individual flametrap elements are still available separately, VLI recommends using complete assemblies to ensure 100% compliance with OEM and AS3584 requirements.

Please ensure this document is circulated to all relevant personnel within your organization. Should you have any further queries please contact your VLI Representative.

Beresfield 8 Balook Drive Beresfield NSW 2322 P: +61 2 4964 2300 F: +61 2 4028 6796	Mackay 6 Fursden Street Glenella QLD 4740 P: +61 7 4942 7495 F: +61 7 4942 4944	Emerald 44 Industrial Drive Emerald QLD 4720 P: +61 7 4987 5011 F: +61 7 4987 4711	Unanderra 3 Investigator Drive Unanderra NSW 2526 P: +61 2 4220 9400 F: +61 2 4272 5530	Mudgee 24A Industrial Avenue Mudgee NSW 2850 P: +61 2 6372 9847 F:
---	---	--	---	--

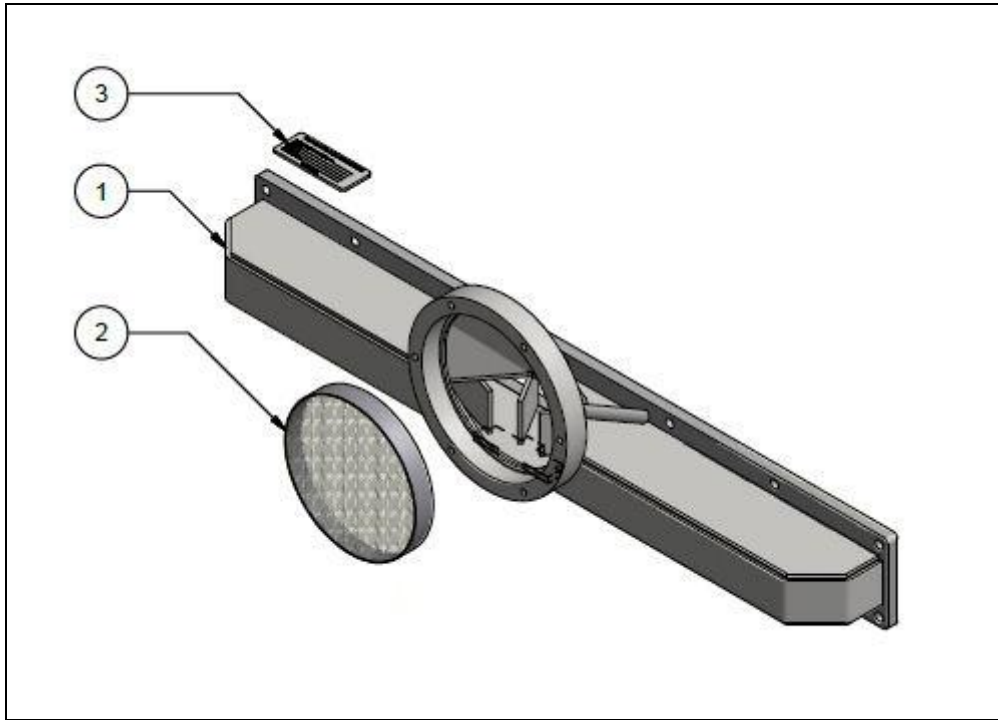


Figure 1: Part No. 0102-50199 Assembly – Air Intake Flametrap (Consists of Item 1 - 0102-50002 Inlet Manifold, Item 2 - 0102-10027 Inlet Flametrap Element, Item 3 - 5-04282103 Label – Code D)

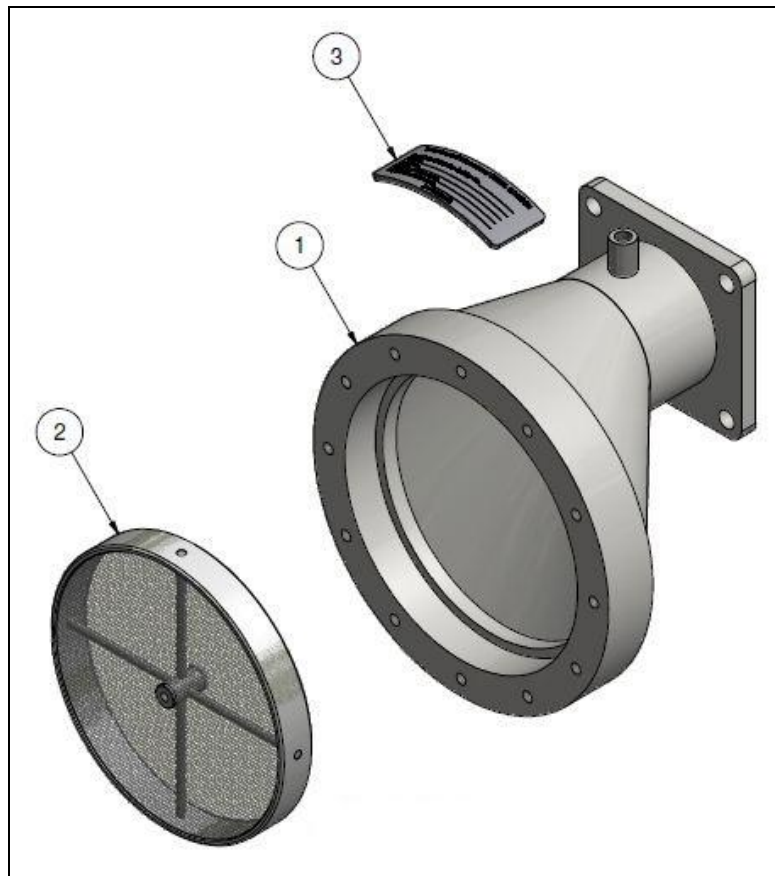


Figure 2: Part No. 6-04113901 Assembly – Air Intake Flametrap (Consists of Item 1 - 5-04100101 Flametrap Body, Item 2 - 9-04110116 Inlet Flametrap Element, Item 3 - 5-04282103 Label – Code D)