



## **Technical Bulletin / Safety Alert**

<b>Unique ID No</b>	<b>: DES-2017-TBSA-01</b>	<b>Rev: 0</b>
<b>Subject</b>	<b>: MDR090376DES – Fasteners – Inlet Flametrap Housing</b>	
<b>Date</b>	<b>: 28<sup>th</sup> June 2017</b>	
<b>Applicable to</b>	<b>: VLI Driftrunner &amp; Brumby Machines and Diesel Engine Systems currently complying to: MDR 090376 DES - all</b>	
<b>Details of Revision</b>	<b>: 0 - Original Issue</b>	

**Note: Minimum PPE required to carry out any inspections contained in this TBSA shall be protective clothing & footwear, safety glasses, hearing protection & any site specific requirements. A JSA or equivalent should be carried out prior to performing these tasks.**

### **Description:**

There have been a number of reported incidents where inconsistent fasteners are being utilised in and around the Intake Flametrap Housing on the above DES.

### **Review:**

VLI carried out an internal assessment of Design Registered Approvals, associated drawings, VLI Mechanical Code D Documentation & Parts Manuals in relation to fasteners used in the MDR 090376 DES.

VLI concluded that there were inconsistency's in some of the Parts Manuals.

### **Recommendations:**

VLI recommend that the correct fasteners are used in all joints associated with MDR DESs.

Please refer to the below extract from the Parts Manual for correct Part Number.

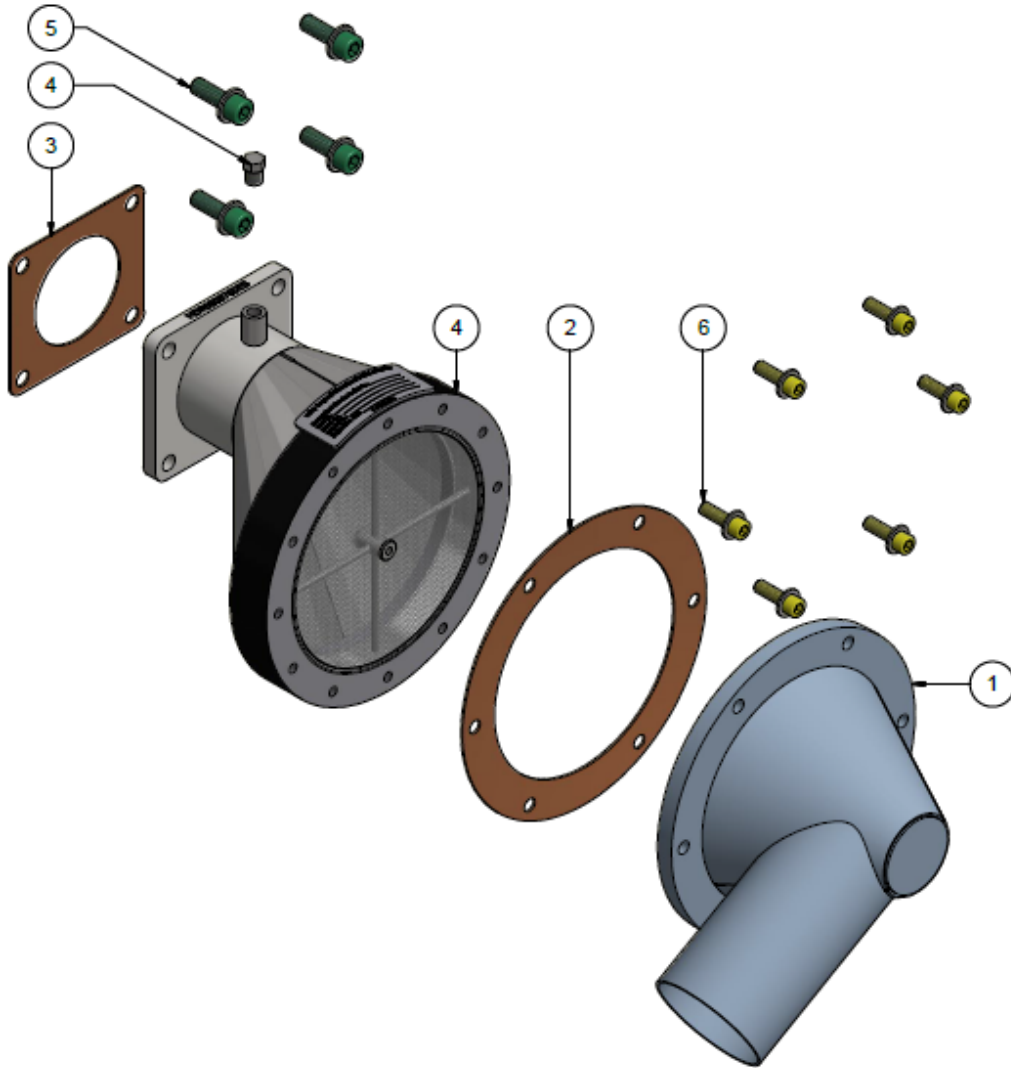
Stainless Steel Fasteners are not recommended to be used in either of these below joints.

Please ensure this document is circulated to all relevant personnel within your organisation.

Should you have any further queries please contact your VLI Representative.



Valley Longwall International  
 Driftrunner  
 Assembly - Flametrap Housing



Parts List

ITEM	QTY	PART No	DESCRIPTION
1	1	5-04110114	Weldment - Flametrap Air Inlet Adaptor
2	1	5-05100107	Gasket - Flametrap Housing
3	1	5-04100102	Gasket - Flametrap to Manifold
4	1	6-04113901	Assembly - Air Intake FlameTrap
5	1	9-13010136	Flametrap Housing - Fastener Kit
6	1	9-13010137	Flametrap Cover - Fastener Kit

Beresfield  
 8 Balook Drive  
 Beresfield NSW 2322  
 P: +61 2 4964 2300  
 F: +61 2 4028 6796

Emerald  
 44 Industrial Drive  
 Emerald QLD 4720  
 P: +61 7 4987 5011  
 F: +61 7 4987 4711