



## **Technical Bulletin / Safety Alert**

**Unique ID No:** GEN2015-TBSA-01

**Rev:** 0

(This document supersedes all previous versions of GEN2015-TBSA-01)

**Subject:** Water Makeup Tank Filler Neck – Product Improvement

**Date:** 1<sup>st</sup> May 2015

**Applicable to:** ALL VLI Driftrunner Vehicles

**Note:** Minimum PPE required to carry out any inspections contained in this TBSA shall be protective clothing & footwear, safety glasses, hearing protection & any site specific requirements. A JSA or equivalent should be carried out prior to performing these tasks.

### **Notification:**

VLI advises of the following product improvement.

The existing water make up tank filler neck (VLI Part No. 5-04215602, Figure 1) will soon be superseded by a new and improved product (VLI Part No. 5-1406006-025, Figure 2). The new part is manufactured from stainless steel and designed for improved durability and effective pressure containment when used with the standard VLI pressure cap (Part No. 9-00060102), providing extended and reliable service.

There will be a short transition period as existing VLI stock of 5-04215602 is consumed and the new parts 5-1406006-025 are introduced.

A replacement page for VLI Driftrunner Parts Manuals is attached to the TBSA.



**Figure 1:** Existing Water Make Up Tank Filler Neck, VLI Part No. 5-04215602



**Figure 2:** New Water Make Up Tank Filler Neck, VLI Part No. 5-1406006-025

Please ensure this document is circulated to all relevant personnel within your organisation. Should you have any further queries please contact your VLI Representative.

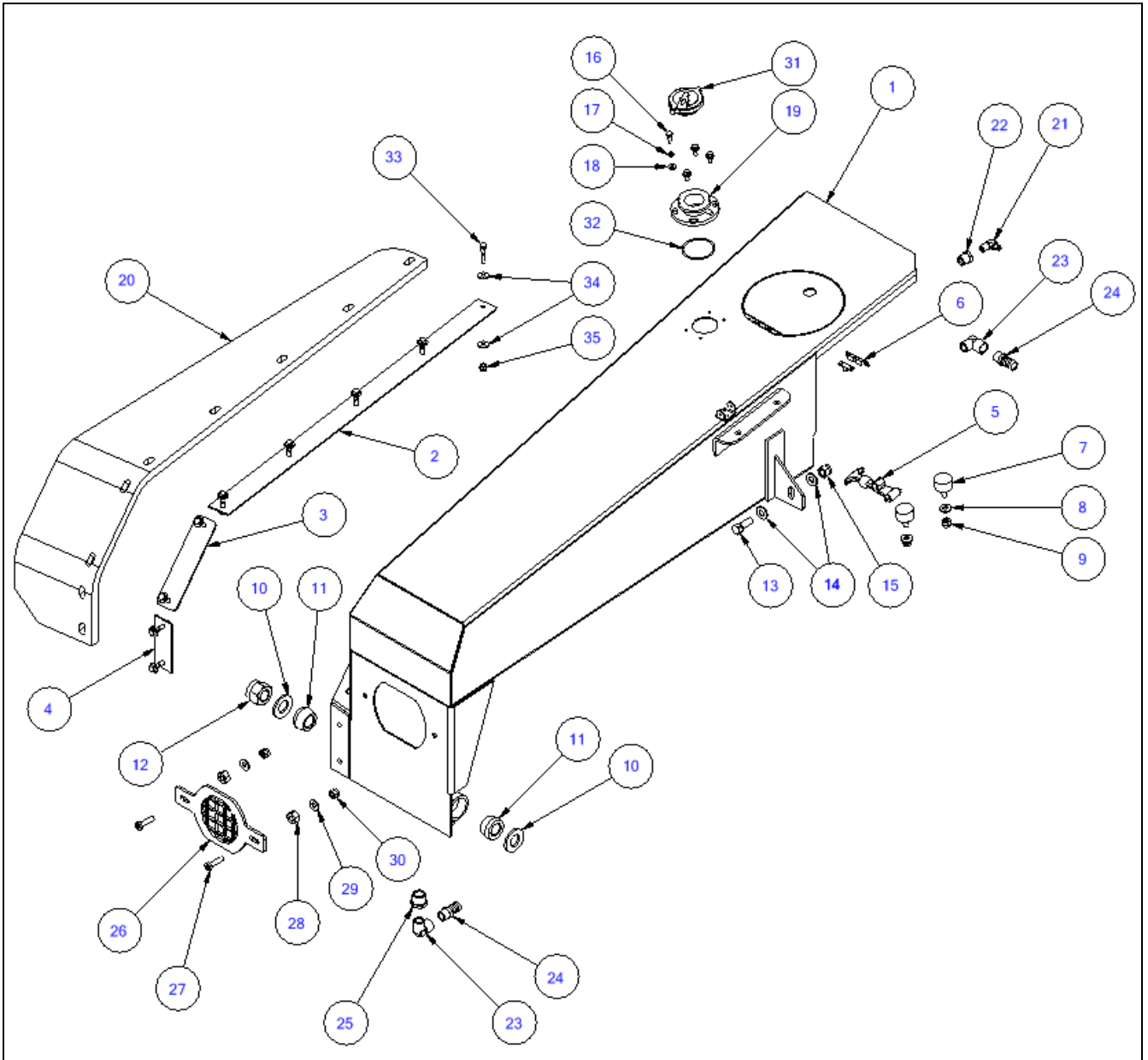
Beresfield  
8 Balook Drive  
Beresfield NSW 2322  
P: +61 2 4964 2300  
F: +61 2 4028 6796

Mackay  
6 Fursden Street  
Glenella QLD 4740  
P: +61 7 4942 7495  
F: +61 7 4942 4944

Emerald  
44 Industrial Drive  
Emerald QLD 4720  
P: +61 7 4987 5011  
F: +61 7 4987 4711

Unanderra  
3 Investigator Drive  
Unanderra NSW 2526  
P: +61 2 4220 9400  
F: +61 2 4272 5530

Mudgee  
24A Industrial Avenue  
Mudgee NSW 2850  
P: +61 2 6372 9847  
F:



<b>Item Id</b>	<b>Part No.</b>	<b>Description</b>	<b>Qty</b>
1	5-04062104	Weldment - Water Tank	1
2	5-04136204	Plate - Bracket Water Tank 1	1
3	5-04136205	Plate - Bracket Water Tank 2	1
4	5-04136206	Plate - Bracket Water Tank 3	1
5	9-04130118	Bonnet Catch	1
6	04278702	Latch	1
7	9-04130128	Bonnet Support	2
8	FW06	Flat Washer	2
9	NLC06	Hex Nut Nyloc	2
10	FW16	Flat Washer	2
11	9-04060105	Polyurethane - Tank Pivot Bush	2
12	NLC16	Hex Nut Nyloc	1
13	HC008X024	Hex Head Bolt	1
14	FW08	Flat Washer	2
15	NLC08	Hex Nut Nyloc	1
16	HC004X012S	Hex Head Bolt SS	4
17	SW04S	Spring Washer SS	4
18	FW04S	Flat Washer SS	4
19	5-1406006-025	Filler Neck - Water Makeup Tank	1
20	5-04122724	Rubber - Tank Flare - RHS	1
21		90 Elbow - M-M BSPT 1/4 x JIC 7/16	1
22		Reducing Bush M_F BSPT x BSPT 1/2 x 1/4	1
23		90 Deg Elbow M_F BSPT x BSPP - 1/2 x 1/2	2
24		Hosetail - M BSPT - 1/2	2
25		Reducing Bush - M_F BSP 3/4 x 1/2	1
26	5-04094202	Plate - Headlight Guard Mesh	1
27	SBC006X024S	Socket Button Head SS	2
28	NC08S	Hex Nut SS	2
29	FW06S	Flat Washer SS	2
30	NLC06S	Hex Nut Nyloc SS	2
31	9-00060102	Cap - Pressure Release	1
32		Oring	1
33	HC005X024S	Hex Head Bolt SS	5
34	FW05S	Flat Washer SS	10
35	NLC05S	Hex Nut Nyloc SS	5